

Quick order sheet Model 213.53.0xx

Bourdon tube pressure gauge, filled, stainless steel

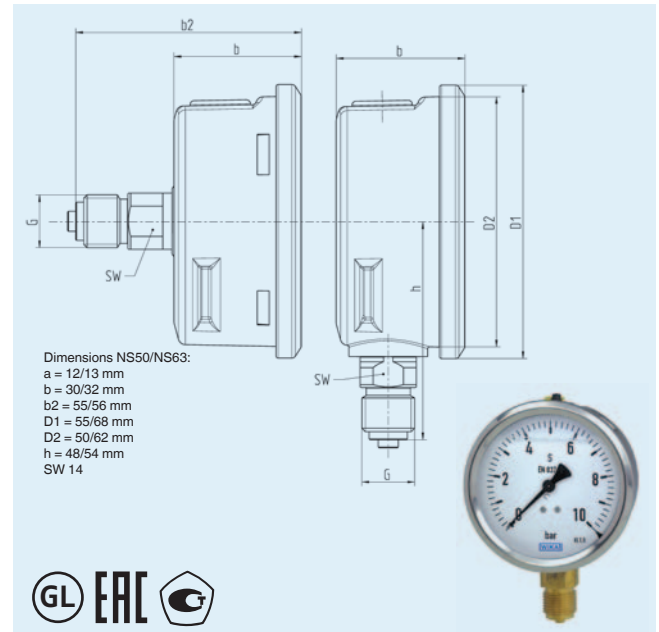
09/2015

Applications

- For measuring points with high dynamic pressure loads and vibrations
- For gaseous and liquid media that are not highly viscous or crystallising and will not attack copper alloy parts
- Hydraulics
- Compressors, shipbuilding

Special features

- Vibration and shock-resistant
- Especially robust design
- NS 63 with Germanischer Lloyd and Gosstandart approval
- Scale ranges up to 0 ... 1,000 bar



Order numbers

Nominal size		63 mm			
Process connection		G 1/4 B			
2. Scale or special scale		without	without	2. Tlg psi	2. Tlg psi
Connection location		radial	back mount	radial	back mount
Scale range	-1 ... 0 bar	9021876	9022082	9022199	9022200
	-1 ... +1.5 bar	9021892	9022104	9022191	9022192
	-1 ... +3 bar	9021906	9022112	9022186	9022187
	-1 ... +5 bar	9021914	9022120	9022181	14083009
	-1 ... +9 bar	9021922	9022139	9022176	9022177
	-1 ... +15 bar	9021930	9022147	9022172	9022173
	0 ... 0.6 bar	9023429	9023437	9022167	9022168
	0 ... 1 bar	9021949	9022155	9022156	9022157
	0 ... 1.6 bar	9021957	9022163	9024958	9022164
	0 ... 2.5 bar	9021965	9022171	14039325	9027452
	0 ... 4 bar	9021973	9022180	9605015	9023476
	0 ... 6 bar	9021981	9022198	7019240	9605075
	0 ... 10 bar	9021990	9022210	9315832	8347670
	0 ... 16 bar	9022007	9022244	9307758	9605083
	0 ... 25 bar	9022015	9022260	9351162	9383586
	0 ... 40 bar	9022023	9022406	9350955	9023477
	0 ... 60 bar	9022031	9022414	9351170	9359775
	0 ... 100 bar	9022040	9022422	9351145	9392064
	0 ... 160 bar	9022058	9022430	9341948	9380546
	0 ... 250 bar	9022066	9022449	8309515	9625661
0 ... 400 bar	9022074	9022457	8306370	9306094	
0 ... 600 bar	9023461	9023470	9367009	9023471	

Legend: available from stock in Germany available after production **** not available

Quick order code (you can find further possible variants in data sheet PM 02.12)

Field no.	Code	Version
Nominal size		
①	B	50
	C	63
Measuring range (in bar)		
②	310	1
	325	2.5
	340	4
	360	6
	410	10
	416	16
	425	25
	440	40
	510	100
	520	200
	525	250
	532	315
	540	400
	560	600
	610	1000
2. Scale		
③	Z	without
	P	2. Tlg psi
Process connection		
④	GB	G 1/4 B
	NB	1/4 NPT
	RE	R 1/4 -ISO 7
	MK	M12 x 1.5
	GA	G 1/8 B
	NH	1/8 NPT
Connection location		
⑤	U	lower mount
	A	back mount

Order code: 213.53- ① -BG ② - ③ - ④ - ⑤ ZZZ-ZZ